

### Main Control Panel, remote.

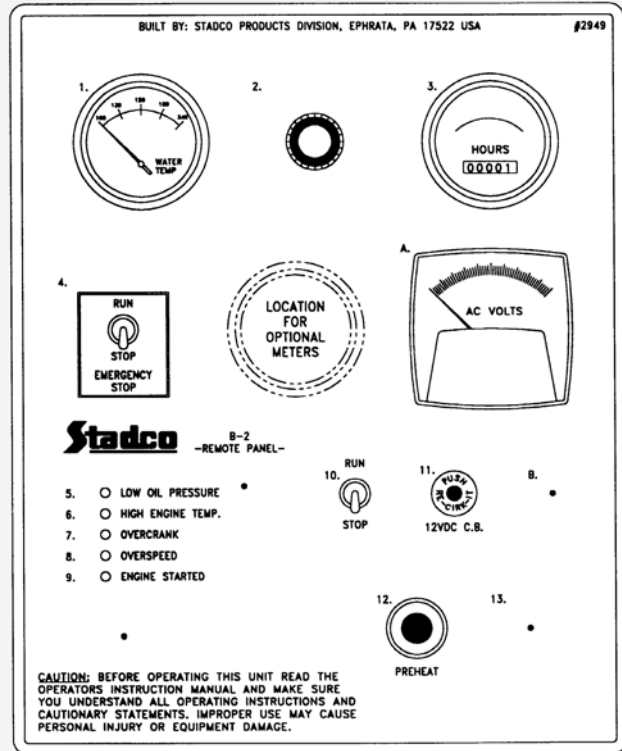
- ◆ Automatic logic controlled with six point engine protection system.
  - ◆ Low oil pressure
  - ◆ Engine overheat
  - ◆ Low coolant level
  - ◆ Starter lockout
  - ◆ Overcrank
  - ◆ Overspeed
- ◆ Enclosure:  
10x8x6" NEMA3R with hinged cover. Fully wired to terminal strip. For connection with Stadco power distribution box. (Shipped loose.) Dwg #12023.

#### System Features:

- ◆ 5 Fault indicator lamps.
- ◆ Engine logic controller w/ autocrank.
- ◆ Toggle switch start/stop operation.
- ◆ Priority Emergency stop switch.
- ◆ Starter lockout.
- ◆ AC Voltmeter.

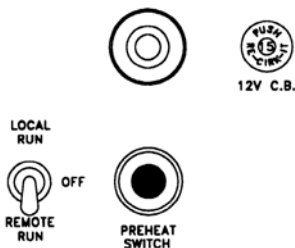
Load Circuit Breaker Not Included

### REMOTE PANEL



10.8"H x 8.5"W x 6.3"D

BEFORE OPERATING THIS UNIT READ OPERATORS INSTRUCTION MANUAL AND MAKE SURE YOU UNDERSTAND ALL OPERATING INSTRUCTIONS AND CAUTIONARY STATEMENTS. IMPROPER HANDLING MAY CAUSE PERSONAL INJURY OR EQUIPMENT DAMAGE.

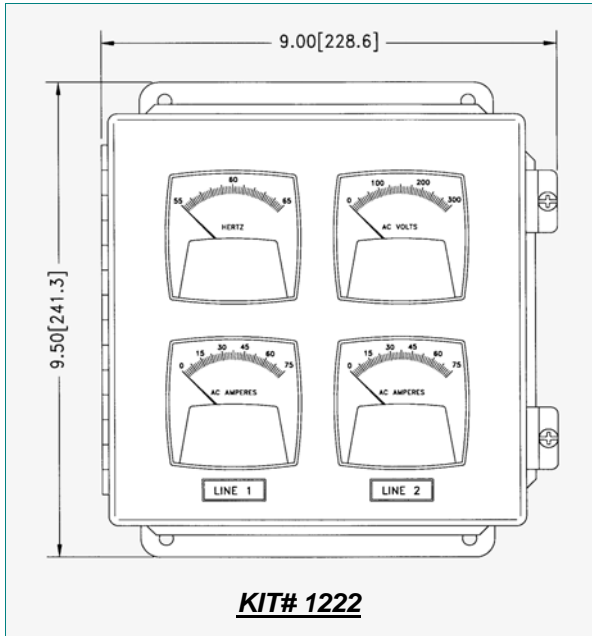


BUILT BY: STADCO PRODUCTS DIV., EPHRATA, PA 17522 USA #21165

### ENGINE PANEL

### Engine Panel

- ◆ Provides interconnected dual control.
- ◆ Accessories include:  
Master control switch, preheat switch, pre-heat indicator and DC circuit breaker.
- ◆ Enclosure:  
8x8x4" NEMA3R. Fully wired and unit mounted. Dwg #12023.

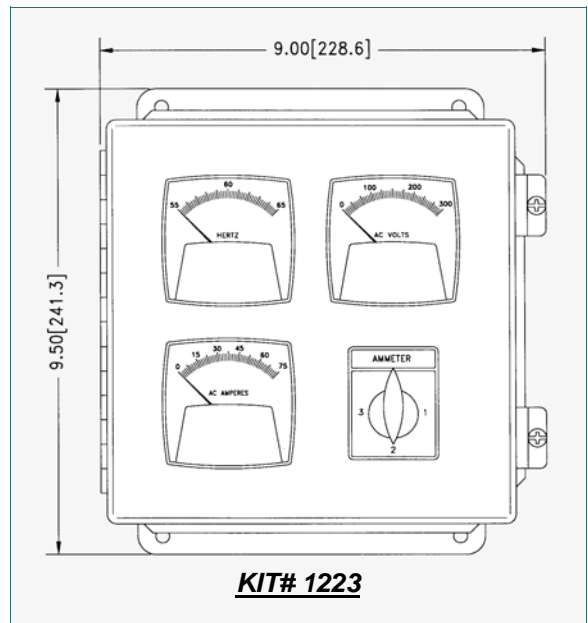


**KIT# 1222, AC Meter panel, wall mounted.**  
Single phase version.

**Includes:** Voltmeter, (2) ammeters, current transformers (loose) and analog type frequency meter. Wired to terminal strip. For connection to main leads in electrical locker.  
Enclosure: 8x8x4" NEMA12 w/ hinged cover.  
Shipped loose. Dwg #11573.

**KIT# 1223, AC Meter panel, wall mounted.**  
Three phase version.

**Includes:** Voltmeter, analog type frequency meter, ammeter, current transformers (loose) and 3-phase selector switch. Wired to terminal strip. For connection to main leads in electrical locker.  
Enclosure: 8x8x4" NEMA12 w/hinged cover.  
Shipped loose. Dwg #11574.



**KIT# 1249, AC Ammeter panel, wall mounted.**  
Three phase version.

**Includes:** Ammeter, current transformers (loose) and 3-phase selector switch. Wired to terminal strip. For connection to main leads in electrical locker. Enclosure: 8x8x4" NEMA12 w/hinged cover. Shipped loose. Dwg #11762.

