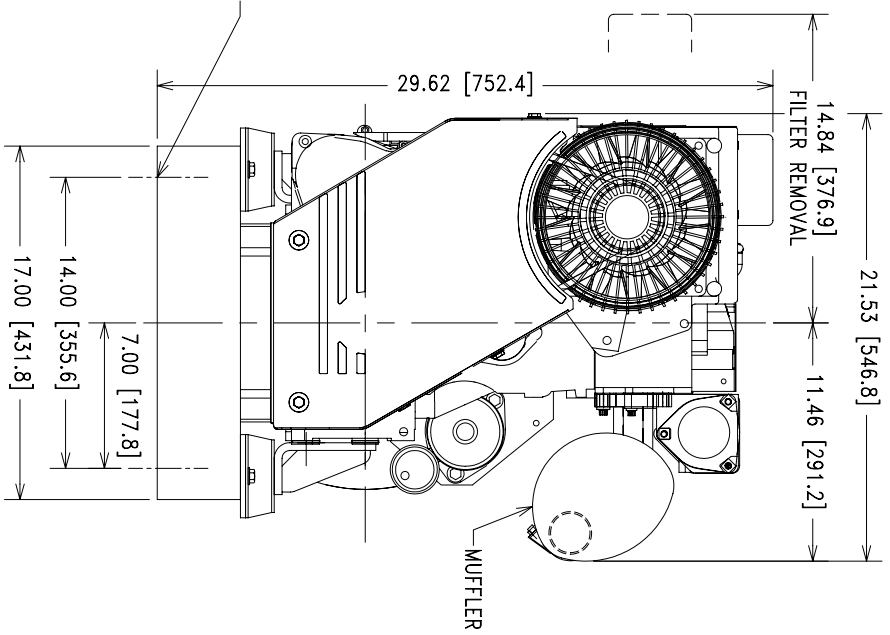
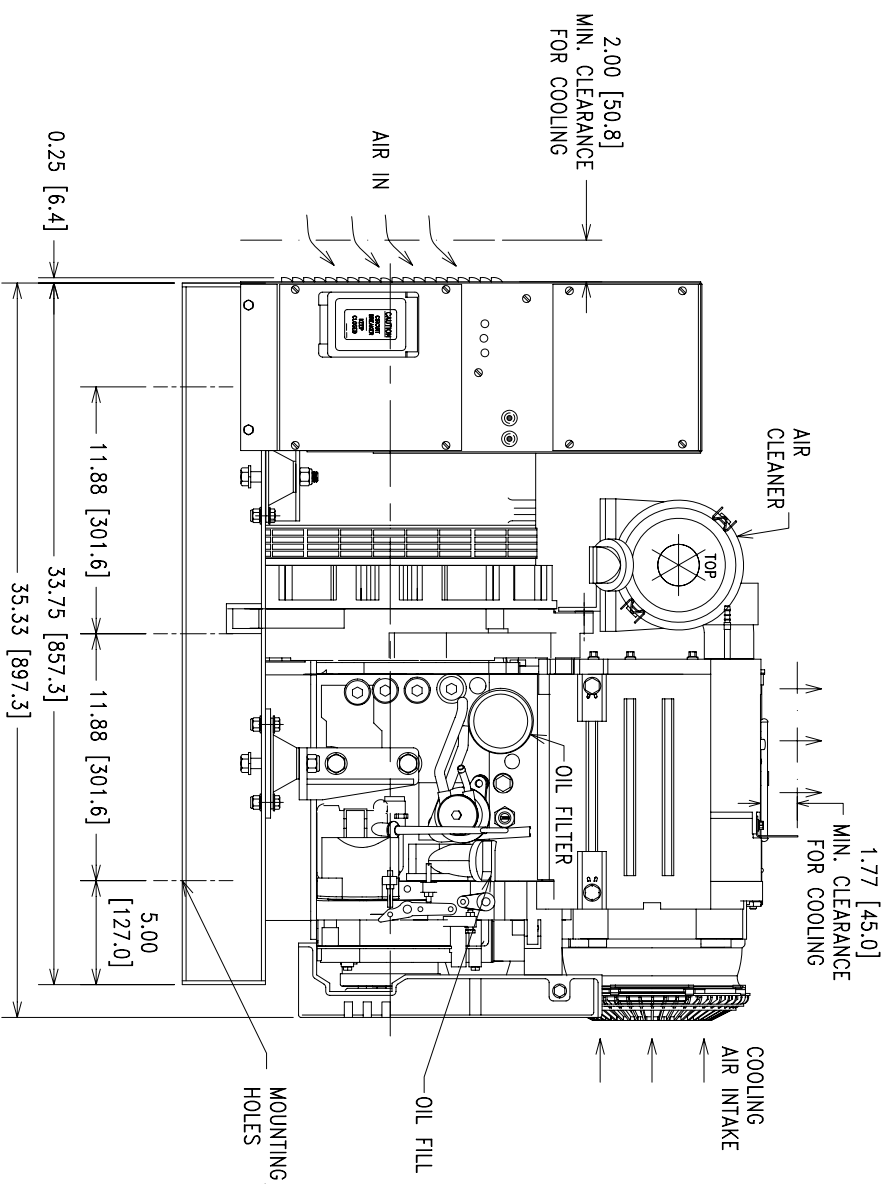


REV	DESCRIPTION	DATE	INT.
A	REVISED LENGTH OF GENSET	8/10/07	BKH



TITLE: TOP DOG GENERATOR MODEL TD12

THE FOLLOWING TOLERANCES APPLY UNLESS OTHERWISE SPECIFIED:

ALL DIMENSIONS ARE INCH [mm]

DECIMALS ANGLES

.X ± .060 ± 1

.XX ± .030 FRACTIONS

.XXX ± .010 ± 1/32

MACHINED SURFACES ARE 125

PUNCHED HOLES ±.008 - .003

PUNCHED HOLES ±.016

STADCO
STAUFFER DIESEL INC
EPHRATA, PA., U.S.A. 17922

DRAWN BY: B.K. HELM
SCALE: FULL
DATE: 11/21/06

GROUP NO. ORDER NO. DRAWING NO.
1 OF 1 12680A

INFORMATION CONTAINED HEREIN IS DEEMED RELIABLE BUT NOT GUARANTEED

THIS PRINT IS A CONFIDENTIAL DISCLOSURE THE SUBJECT MATTER OF WHICH IS THE PROPERTY OF STAUFFER DIESEL INC.