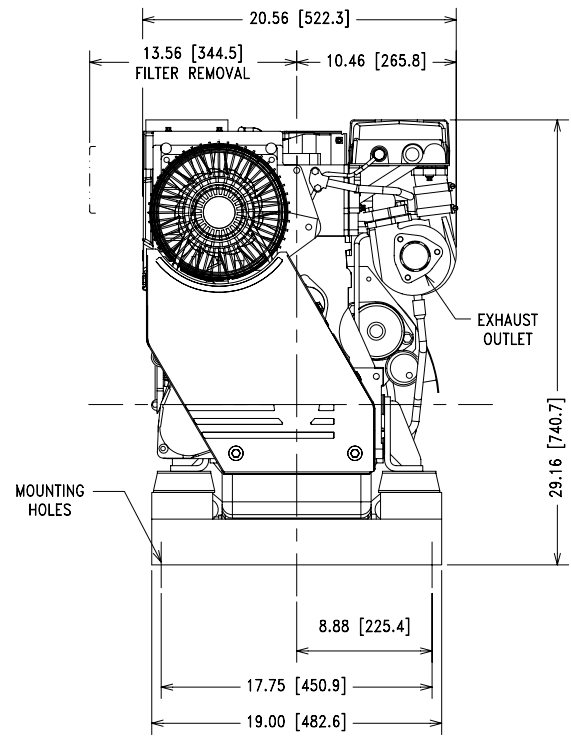
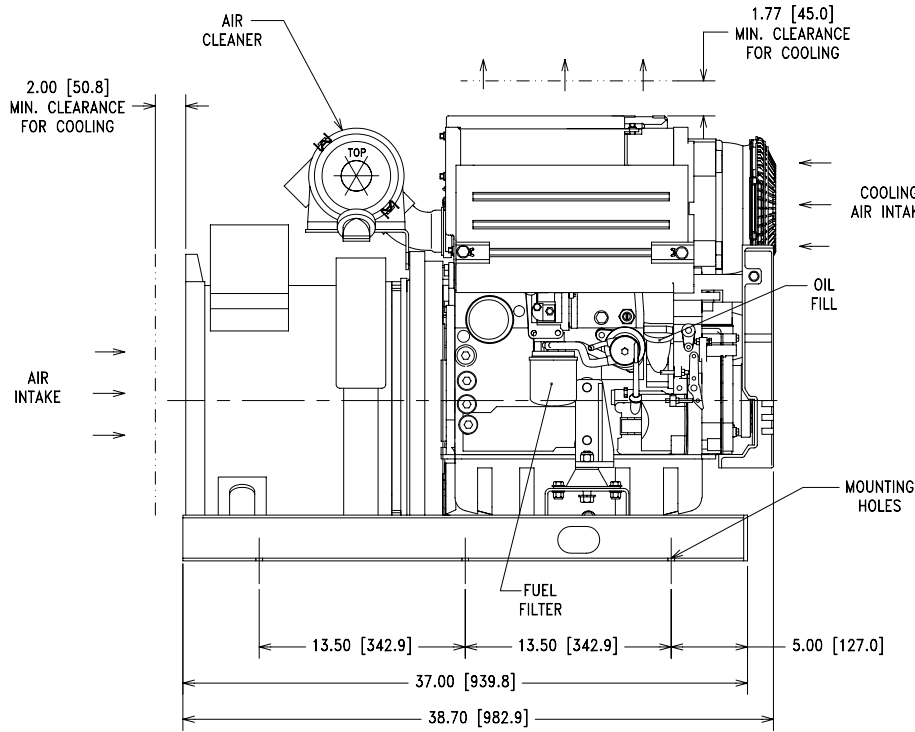
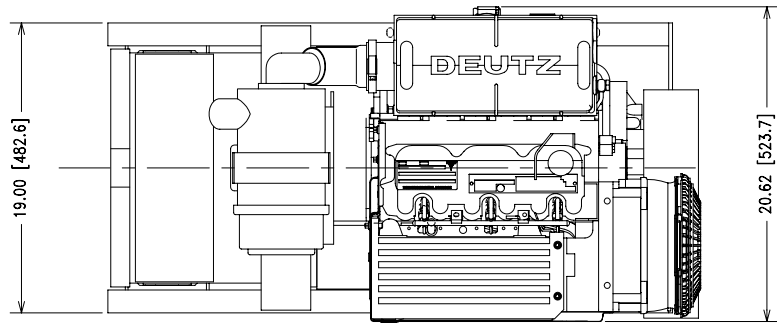


REV	DESCRIPTION	DATE	INT.
A	ADD ALTERNATOR RAIN DEFLECTOR	12/20/07	TJS



INFORMATION CONTAINED HEREIN IS DEEMED RELIABLE BUT NOT GUARANTEED
 THIS PRINT IS A CONFIDENTIAL DISCLOSURE THE SUBJECT MATTER OF WHICH IS THE PROPERTY OF STAUFFER DIESEL INC.

©2007

TITLE: SALES DRAWING, TOP DOG GENERATOR TD25			
THE FOLLOWING TOLERANCES APPLY UNLESS OTHERWISE SPECIFIED: ALL DIMENSIONS ARE INCH [mm]			
DECIMALS	ANGLES		
.X ± .060	± 1°		
.XX ± .030	FRACTIONS		
.XXX ± .010	± 1/32		
MACHINED SURFACES ARE 125		DRIVEN BY: B.K. HELM	SCALE: FULL
DRILLED HOLES +.008 -.003		ORDER NO. 1 OF 1	DATE: 8/21/07
PUNCHED HOLES ±.016		GROUP NO.	DRAWING NO. 12651A