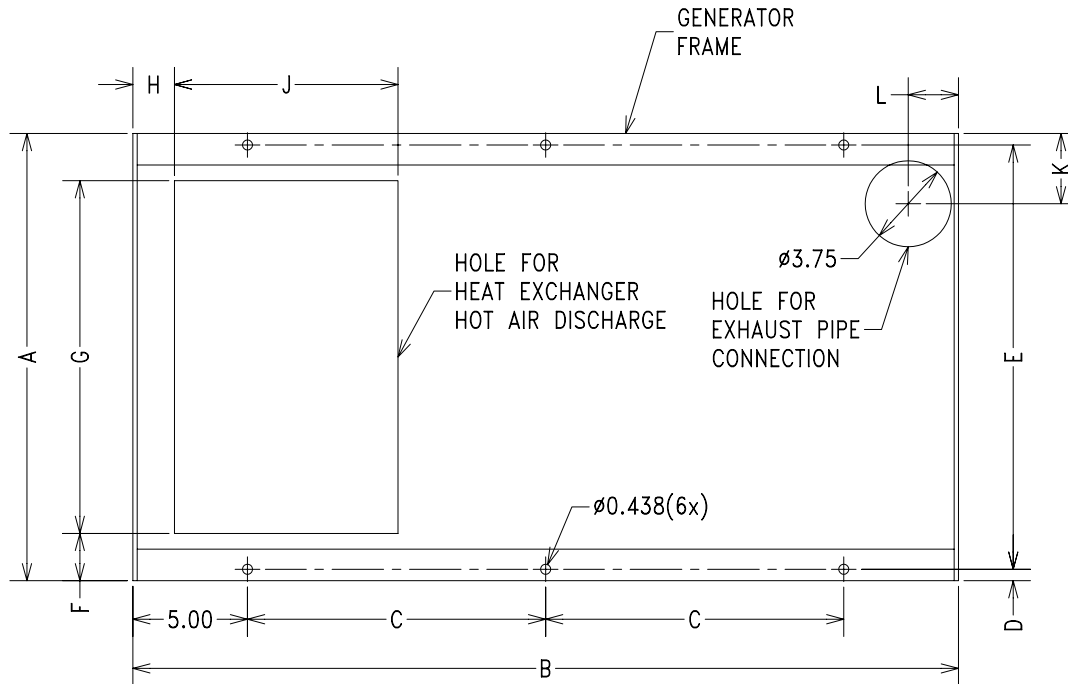


REV	DESCRIPTION	DATE	INT.
A	UPDATED CP25 DIMENSIONS	12/05/06	BKH

Model	DIMENSION										
	A	B	C	D	E	F	G	H	J	K	L
CP20	19.50"	36.00"	13.00"	0.50"	18.50"	2.06"	15.38"	1.81"	9.75"	2.69"	2.19"
CP25	19.50"	44.00"	17.00"	0.50"	18.50"	2.06"	15.38"	9.94"	9.75"	2.69"	2.19"



TITLE: INSTALLATION DRAWING, CP20/25		
THE FOLLOWING TOLERANCES APPLY UNLESS OTHERWISE SPECIFIED: ALL DIMENSIONS ARE INCH [mm]		
DECIMALS .X ± .060 .XX ± .030 .XXX ± .010 MACHINED SURFACES ARE 125	ANGLES ± 1° FRACTIONS ± 1/32 DRILLED HOLES +.008 - .003 PUNCHED HOLES ± .016	STADCO STAUFFER DIESEL INC EPHRATA, PA., U.S.A. 17522
DRAWN BY: TJS	SCALE: FULL	DATE: 9/13/02
GROUP NO.	ORDER NO. 1 OF 1	DRAWING NO. 12336A