

1 2 3 4 5 6

Model	DIMENSION										
	A	B	C	D	E	F	G	H	J	K	L
CP20	19.50"	36.00"	13.00"	0.50"	18.50"	2.06"	15.38"	1.81"	9.75"	2.69"	2.19"
CP25	19.50"	42.00"	16.00"	0.50"	18.50"	2.06"	15.38"	7.94"	9.75"	2.69"	2.19"

A

A

B

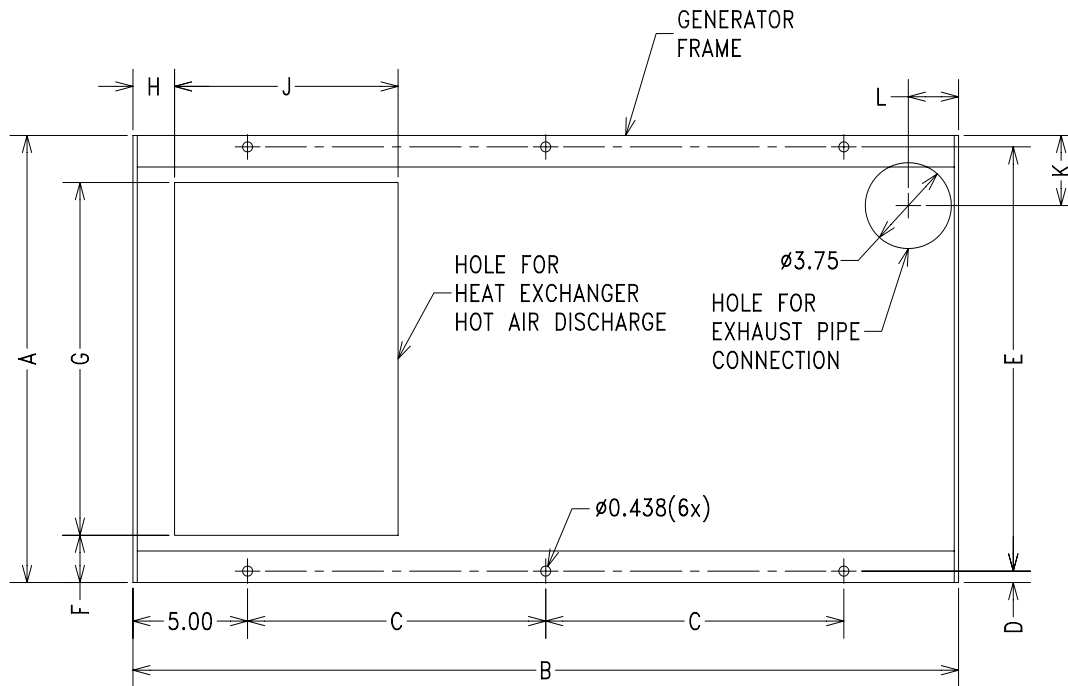
B

C

C

D

D



TITLE: INSTALLATION DRAWING, CP20/25		
THE FOLLOWING TOLERANCES APPLY UNLESS OTHERWISE SPECIFIED: ALL DIMENSIONS ARE INCH [mm]		
DECIMALS .X $\pm$ .060 .XX $\pm$ .030 .XXX $\pm$ .010	ANGLES $\pm$ 1° FRACTIONS $\pm$ 1/32	MACHINED SURFACES ARE 125 ✓ DRILLED HOLES +.008 - .003 PUNCHED HOLES $\pm$ .016
DRAWN BY: TJS	SCALE: FULL	DATE: 9/13/02
GROUP NO.	ORDER NO. 1 OF 1	DRAWING NO. 12336

1 2 3 4 5 6