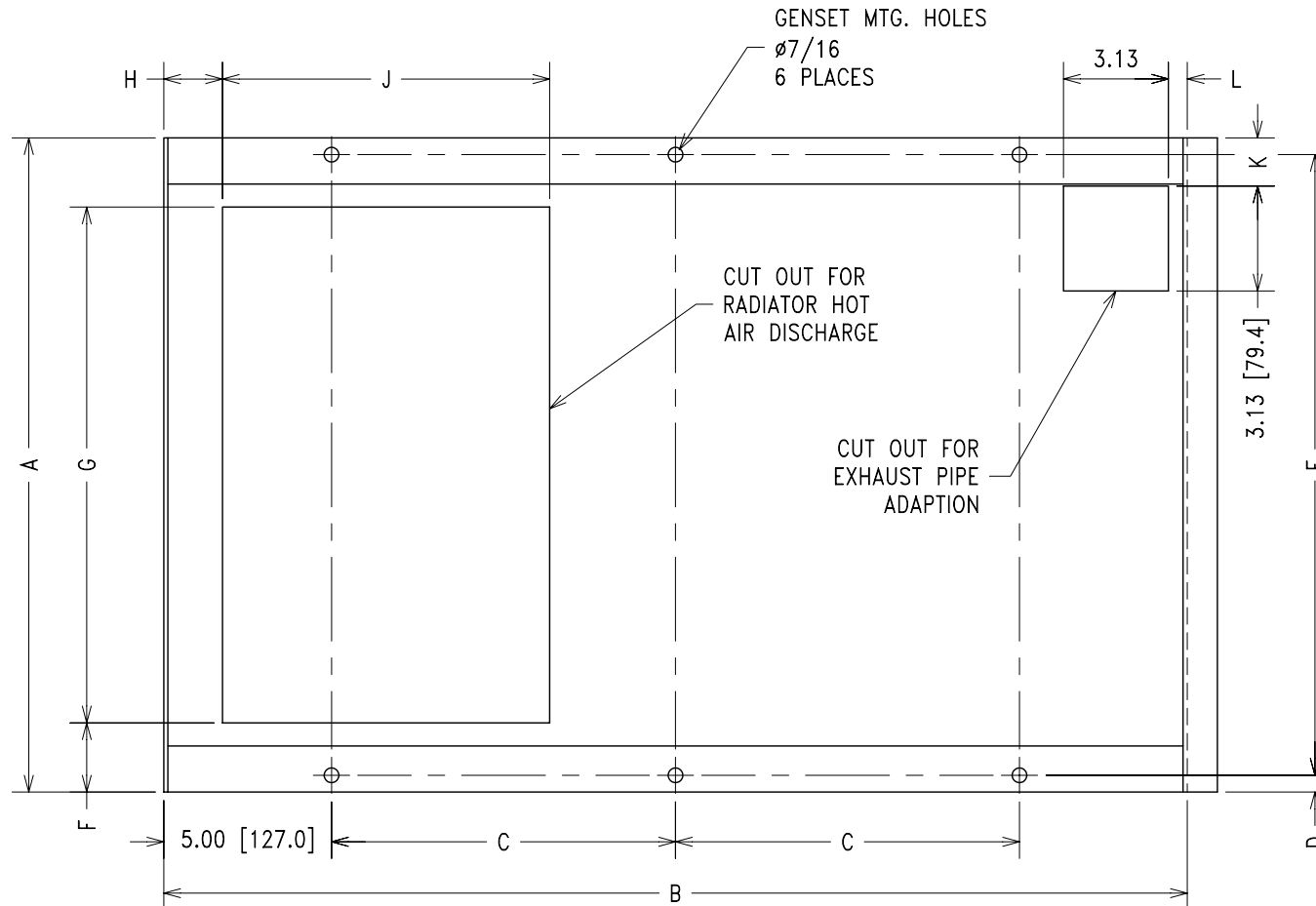


REV	DESCRIPTION	DATE	INT.
E	UPDATE CP6/7 DIMENSIONS	10/21/04	TJS

Model	DIMENSION										
	A	B	C	D	E	F	G	H	J	K	L
CP6	18.00"	26.25"	8.13"	0.38"	17.25"	1.31"	15.38"	1.75"	9.75"	0.94"	1.06"
CP7	18.00"	28.00"	9.00"	0.38"	17.25"	1.31"	15.38"	3.50"	9.75"	0.94"	1.06"
CP10	19.50"	30.50"	10.25"	0.50"	18.50"	2.06"	15.38"	1.75"	9.75"	1.44"	0.56"
CP15	19.50"	35.25"	12.63"	0.50"	18.50"	2.06"	15.38"	1.75"	11.25"	1.44"	0.56"



THIS PRINT IS A CONFIDENTIAL DISCLOSURE
 THE SUBJECT MATTER OF WHICH IS THE
 PROPERTY OF STAUFFER DIESEL INC.
 INFORMATION CONTAINED HEREIN IS DEEMED
 RELIABLE BUT NOT GUARANTEED.

INSTALLATION DIAGRAM		
CP6/7/10/15 CELLPAC		
STADCO STAUFFER DIESEL INC EPHRATA, PA., U.S.A. 17522		
DRAWN BY: LAW	SCALE: 1/4	DATE: 8/5/99
GROUP NO.	ORDER NO.	DRAWING NO. 11963E